

PTSPS090 Solar Powered Wireless Overhead Cable Temp Sensor

Data Sheet

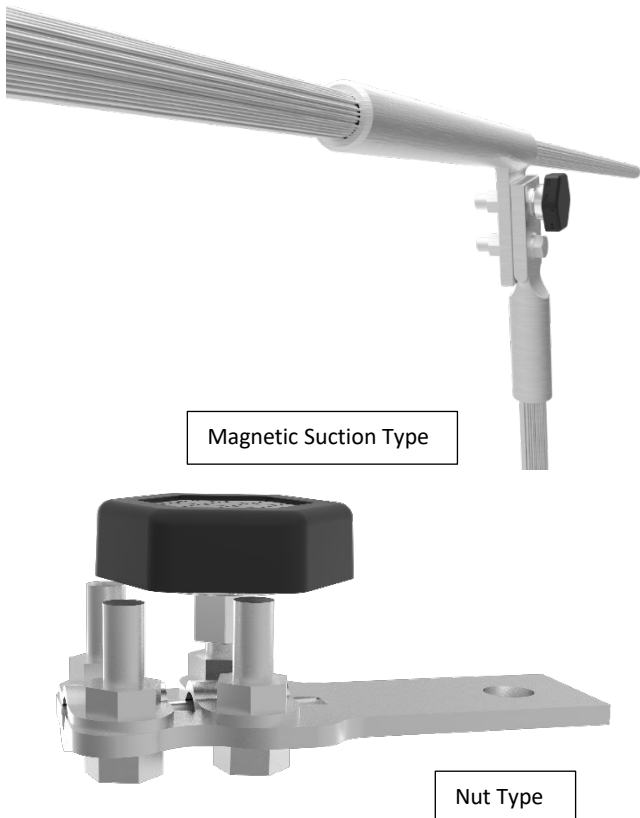


Product Overview

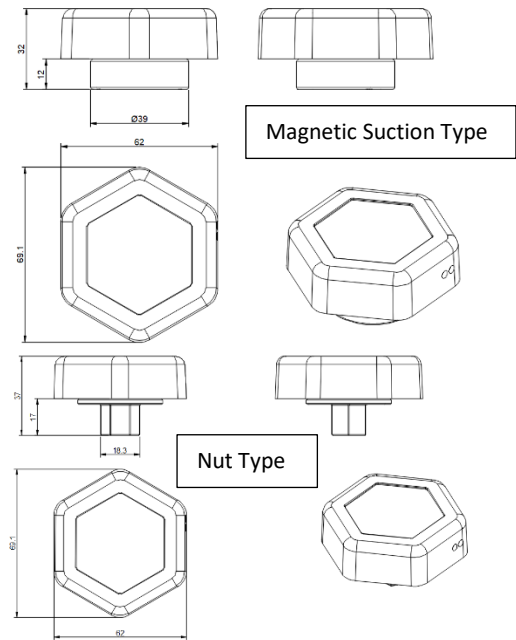
The PtsenR PTSPS090 Solar Powered Overhead High Voltage Cable Temperature Sensor is mainly applied at outdoor high-voltage line conduit electrical equipment contact itself will inevitably increase the contact resistance due to oxidation and corrosion of the surface, loose fastening bolts and other reasons, which will cause heating and electric corrosion of the contact parts. In serious cases, the connecting parts can be burned and short-circuit fault can be caused, resulting in large-scale power failure. Thus, the reliability of power supply system is reduced, resulting in significant economic losses. Therefore, the implementation the PTSPS090 series of tension-resistant cable clip solar wireless temperature sensor detection of high-voltage cable, timely detection and treatment of hidden dangers before equipment failure is an important part to ensure the safe operation of power and build a strong smart grid.

The product adopts ultra-low power Zigbee Green Protocol design, solar energy collection technology, no battery, RF communication, CRC verification and other technologies, with green environmental protection, maintenance-free, electrical isolation thorough, easy installation, strong anti-jamming ability, reliable work and so on, can solve the problem of high-altitude, high-voltage temperature measurement. Real-time temperature data will be collected, through radio frequency communication, transmission to the monitoring terminal, to achieve continuous and accurate automated monitoring.

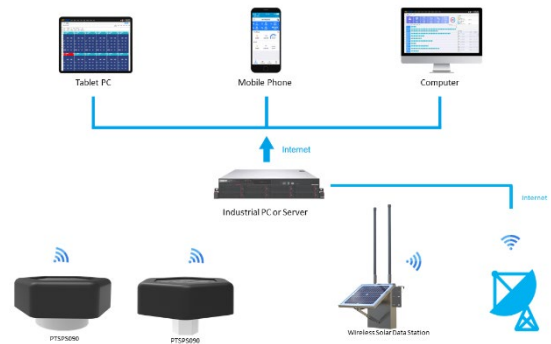
Installation



Dimensions



The System Architecture



Specification

Operation Supply	Solar Powered
Energy Storage	Lithium Battery
Operational Voltage	110V ~ 500kV
Wireless Operating Bandwidth	433MHz (Zigbee), 2.4G (LORA)
Transmission Power	10dBm
Communication Rate	10 kbps
Wireless Transmission Distance	500meter (open space)
Allowable Max Fault Current	20kA/1sec
Relative Humidity (RH)	≤95%RH (non-condensing)
Operating Temperature	-20°C ~ 85°C
Temperature measuring range	-55 ~ +240°C
Temperature measurement type	Contact-type
Measurement accuracy	100°C hereinafter ±1°C, 100°C above ±2°C
Measurement Interval	30seconds
Send Interval	5min, the higher temperature, the faster the sending interval
Protection level (IP)	IP67
Flame retardant grade	V0 (700°C 30 Sec)
Service life	≥10 years
Installation Mode	Magnetic suction, Nut type
Certification	CE – EN 61000-6-2:2005+AC, EN 61000-6-4:2007+A1:2011, EN 62366-1:2014+A11:2017

Ordering Information

Part Number	Product Description
PTSPS090	PTSenR Solar Powered Wireless Overhead Cable Temperature Sensor