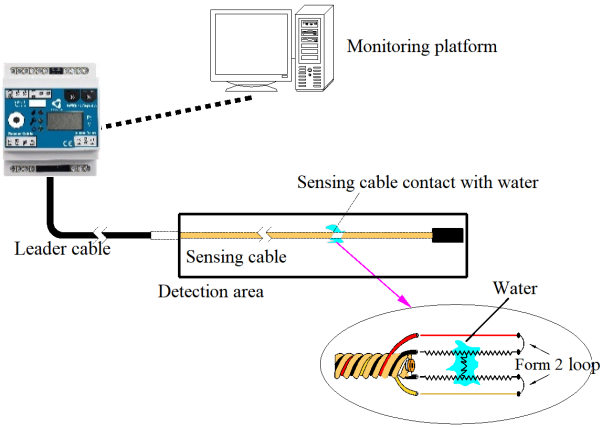


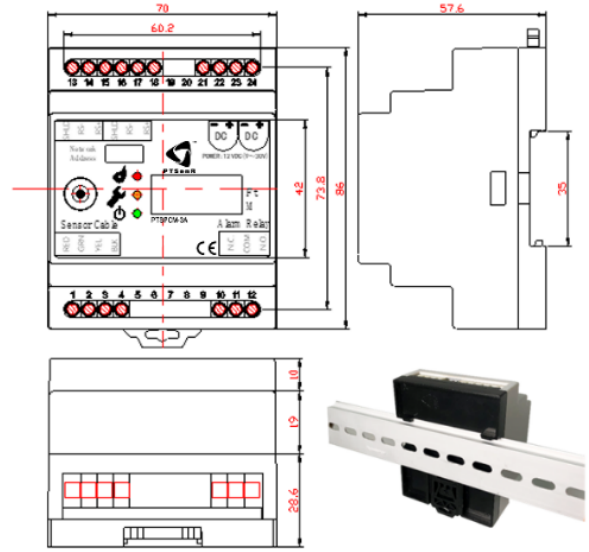
### Product Overview

PTSenR PTSPCM-3A locating liquid leak detector relay with LCD and can detect the area up to 150 meters, monitoring of environmental leakage, once the liquid is detected, the sensor immediately alarms and accurately locate the leakage position and trigger the relay. The specific location of leakage can be read through the LCD display screen. The relay contact signal and 485 signal output by the detector can be integrated with various monitoring systems to realize remote monitoring.

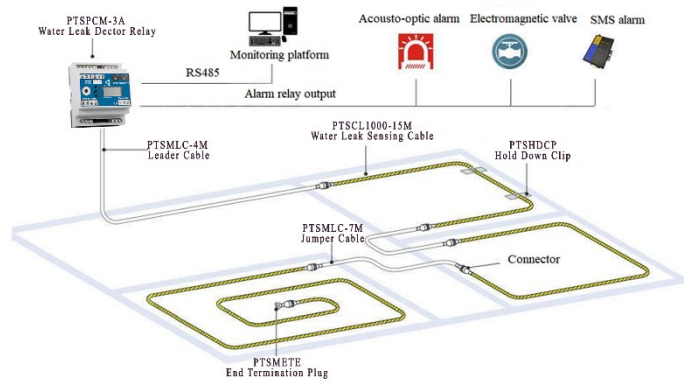
PTSPCM-3A detector connects with PTSCL1000 sensing cables, and once the liquid is detected, the leakage data can be uploaded leakage data to the host computer through RS485 signal, accurately locate the leakage position and trigger the relay action. Detector relay output signal can be used to control peripheral equipment such as acousto-optic alarm, automatic valve, and intelligent alarm, etc.



### Dimensions

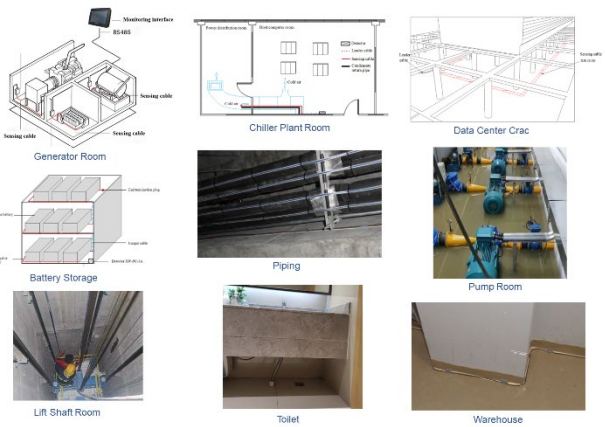


### The System Architecture



### Application

This product is mainly used in where leakage occurs in critical infrastructure e.g. data center, battery room, chemical storage, library, warehouse, generator, intelligent building, and airport where water supply wells, drainage wells, fire wells, elevator shafts, air-conditioning wells, air-conditioning rooms, toilets, fuel diesel tank, fire-fighting pipes, condensation pipes, connecting flanges, welds, interlayers, etc.;



### Specification

Power Supply Input Voltage	12VDC
Maximum Power Consumption	≤0.5W
Sensing Performance	Detection distance: 150m
	Response time: ≤8s
	Detection accuracy: ±0.5m + 1%
	Reading accuracy 0.1m
Communication Protocol	Modbus-RTU, Modbus-ASC II self-adaption
Communication Rate	1,200bps, 2,480bps, 9,600bps (default), 19,200bps
Relay Output	Dry Contact, 1 set NC/NO
<b>Miscellaneous</b>	
Dimensions Size	70 x 86 x 57.6 (mm)
Weight	281.19gram
Operation Temperature	-20°C ~ 70°C
Relative Humidity (RH)	≤95%RH (non-condensing)
Storage Temperature	-10°C ~ 75°C
Mounting method	Standard 35mm guide rails
Certification	CE - EN 55032: 2015, EN 55035: 2017 ROHS - 2011/65/EU, IEC 62321:2013

### Ordering Information

Part Number	Product Description
PTSPSCM-3A	PTSenR Water Leak Detector Relay
PTSCL1000	PTSenR Sensing Cable
PTSMMLC-4M	PTSenR Leader Cable
PTSMMLC-7M	PTSenR Jumper Cable
PTSMETE	PTSenR End Termination Plug
PTSHDCP	PTSenR Hold Down Clip