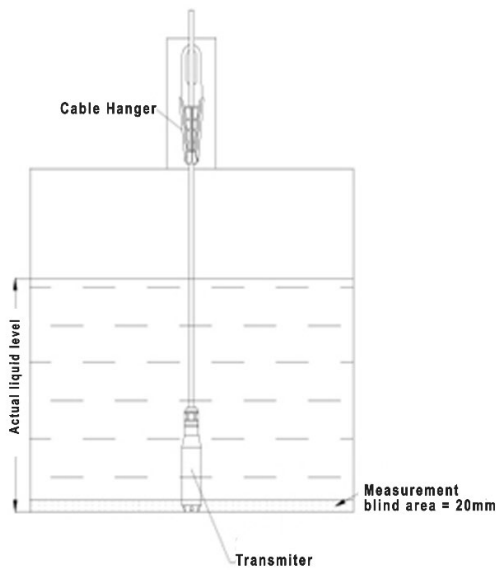


Product Overview

PTSenR PTSPS115 have ability to comprehensively monitor water level in difficult access area. The growing factory automation leads to wide application of electronic equipment. Excessive cables are concentrated in underground cable trench, while underground cable trench is prone to elevated water level if there is waterlogging or plugged cable drainage system. In this way, cable is long-term soaked in water and constantly corroded, which not only impairs insulation, but also causes water intake and then triggers explosion.



For switch cabinet or underground cable trench, water level serves as an important parameter that characterizes equipment operation environment. Without monitoring, equipment operation will encounter great safety hidden danger. With timely accident prediction, advanced early warning and timely measures taken, it is possible to prevent the accident and minimize the loss. In view of this, we developed a water level on-line monitoring sensor supporting battery power supply, which gathers water depth data and sends it to the background via wired mode, so that users can grasp the present environmental status of the underground cable trench via the terminal and background system, thus eliminating the need for manual inspection and later maintenance.

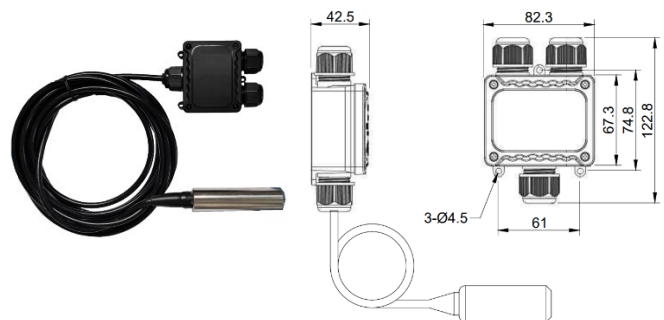
Application

PTSPS115 provides 7 x 24 x 365 continuous water level in electrical switchroom, substation and underground cable trenches prone to waterlogging.

Features

- Wireless data transmission
- No messy wiring
- Continuous 24 x 7 temperature & vibration monitoring
- Accurate
- Fast + easy installation
- No require for human intervention & inspection
- Strong anti-interference
- Easy integration
- IP68 waterproof level

Dimensions (Unit: mm, tolerance: ±1%)



The System Architecture



Specification

Power supply input	DC 12 ~ 36V
Measurement range	0 ~ 3meter. Available specification (1m,3m,4m,5m,6m,7m,8m,9m,10m)
Measurement accuracy	0.5%FS
Water line length	3meter
Communication mode	RS 485
Protection level (IP)	IP68
Flame retardant grade	V0 (700°C 30 Sec)
Installation mode	Strips, nut mounting or wall mounting

Miscellaneous

Operation Temperature	-40°C ~ 85°C
Relative Humidity (RH)	≤95%RH (non-condensing)
Storage Temperature	-10°C ~ 75°C
Service life	5 years
Certification	CE – EN 61000-6-2:2005+AC; 2014/35/EU LOW VOLTAGE DIRECTIVE; 2014/30/EU ELECTROMAGNETIC COMPATIBILITY DIRECTIVE
	EN 61000-6-4:2007+A1:2011; EN 62366-1:2014+A11:2017

Ordering Information

Part Number	Product Description
PTSPS115	PTSenR Water Level Sensor
PTSPSBOX	PTSenR Smart Box Gateway

