

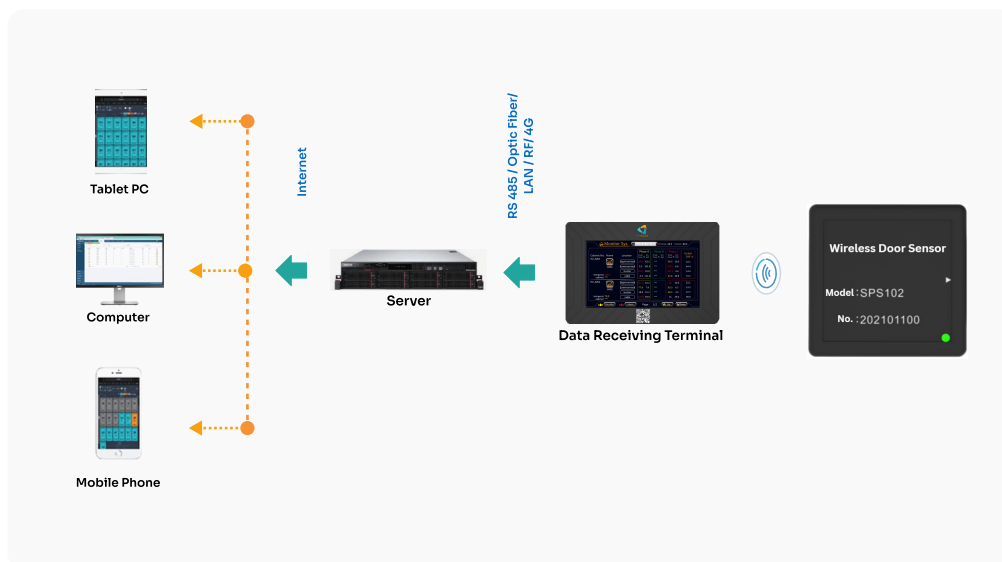
# PTSPS102 Wireless Door Magnetic Sensor

## Product Overview

The PTSenR™ PTSPS102 Wireless Door Sensor is a state-of-the-art device designed to monitor the opening and closing status of doors, windows, cabinet doors, manhole covers, and other related equipment. Utilizing advanced Wireless Sensor Network (WSN) technology, this sensor transmits real-time monitoring data to a background server for continuous display and management. Additionally, the sensor periodically checks and reports its battery status, maintaining consistent performance and alerting users to any potential issues.

Engineered with an ultra-low power consumption design, it incorporates radio frequency communication and CRC calibration to ensure reliable operation and strong anti-interference capabilities. This sensor is notable for its complete electrical isolation and ease of installation, making it an ideal solution for automatic monitoring of various enclosures and entry points.

## System Architecture



## Applications

Open and Closed State of Switch Cabinets



Ring Main Units



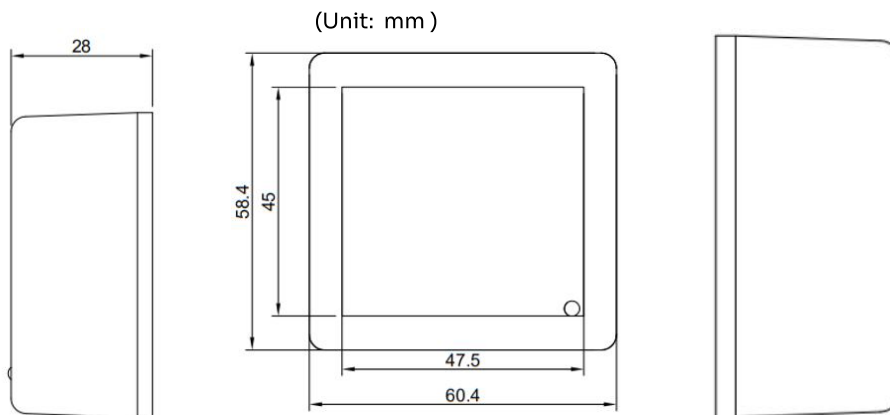
## Characteristics

The PTSenR™ PTSPS102 Wireless Door Sensor is designed to operate within two commonly used frequency bands, ensuring compatibility with a range of wireless communication environments. It is built to endure extreme temperatures and high humidity, making it suitable for various challenging conditions. The sensor's robust design allows it to communicate effectively over considerable distances, ensuring reliable performance in diverse installation scenarios.

Powered by a long-lasting lithium battery, the PTSPS102 ensures continuous operation for several years, minimizing the need for frequent maintenance. Its construction adheres to stringent safety standards, offering a high level of fire resistance and protection against dust and water ingress. The sensor provides rapid status updates, swiftly indicating changes in the monitored environment, which is crucial for timely responses and efficient management.



## Dimensions



## Specifications

Operating Frequency Band	433.92 MHz	Business Cycle	3min (default, modifiable) (2.4GHz)
Working Environment	-40~85°C, ≤95%RH	Control Cycles	4 (default, modifiable) (2.4GHz)
Transmission Distance	≤300m (Open)	Acquisition Cycle	30S (default, modifiable) (2.4GHz)
Transmit Power	10 dBm	Communication Protocols	Hope Company custom protocols (433.92 MHz) Communication protocol for micro-power wireless network of Internet of Things for power transmission and transformation equipment Q/GDW12079 or Q/GDW0531 (2.4GHz)
Power Supply Mode	Lithium Sub-battery Powered 3.6V (14250 type).	Certifications	EN 61000-6-2:2005+AC, EN 61000-6-4:2007+A1:2011; EN 62366-1:2014+A11:2017; EN 220 300 301 489 440 62479
Flammability Rating	V-0	<b>Ordering Information</b>	
Ingress Protection	IP65	Part Number	Product Description
Status Response Time	≤5S	PTSPS102	PTSenR™ Wireless Door Magnetic Sensor
The interval between sending battery voltage packets	1) Initial power-on: interval 60s, continuous transmission of three packets of data; 2) Normal operation: open state: 10 seconds, after 10 consecutive times, it will return to a pack every 5 minutes, and closed state: 5 minutes. (433.92 MHz)		
Measurement Interval	1) Initial power-on: interval 60s, continuous transmission of three packets of data; 2) Normal operation: send a package of data every 12 hours.		