

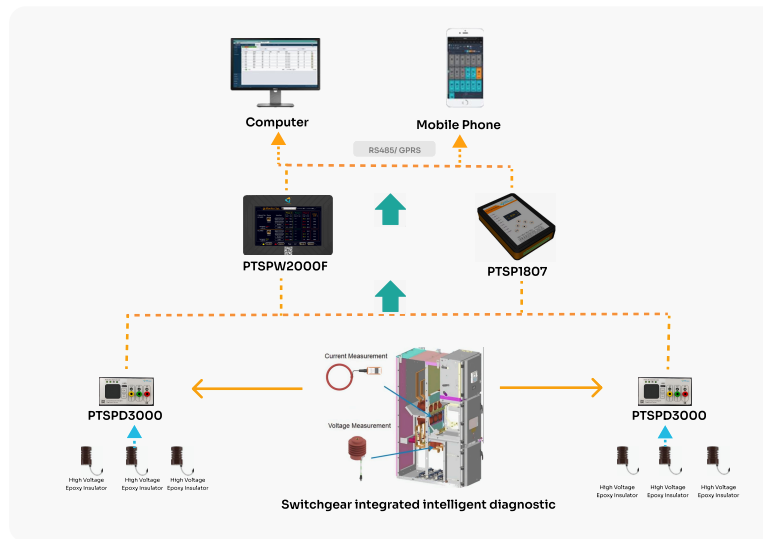
PTSPD3000 Advanced Partial Discharge Analyzer

Product Overview

The PTSenR™ PTSPD3000 Advanced PD Analyzer is a portable, multi-phase partial discharge (PD) detection system that empowers maintenance professionals to safeguard the health of high-voltage Switchgear. By utilizing the pulsed current method, it delivers sensitive and accurate PD detection, even in challenging operational environments. Its simultaneous, independent 3-phase monitoring, coupled with detailed PD mapping, allows for precise localization of potential insulation issues.

Integrated features like 3-phase energization and ground fault indication, along with compatibility with node temperature sensors, offer a comprehensive assessment of Switchgear health. With its portable and user-friendly design, the PD analyzer provides a proactive solution for early detection of insulation degradation, enhancing equipment reliability and preventing costly failures.

System Architecture



Applications

Air/Gas Insulated Switchgear



Ring Main Unit



Characteristics

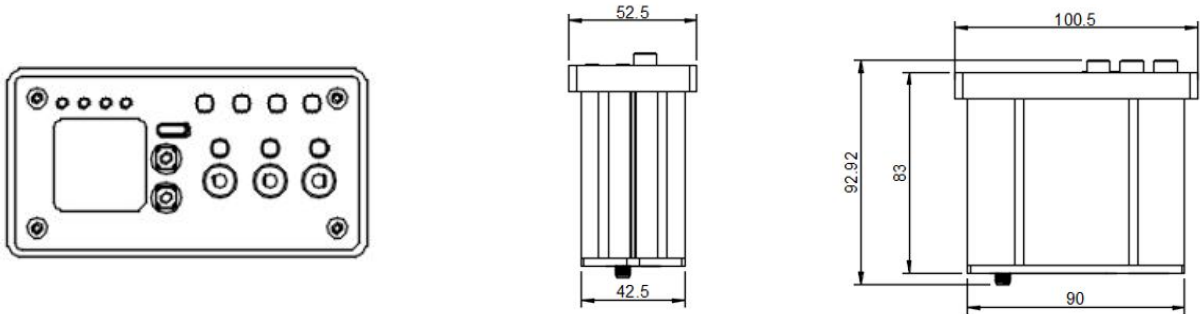
The PTSenR™ PTSPD3000 sets a new standard for partial discharge detection in operational high-voltage Switchgear. Compliant with the IEC standard, it delivers precise measurement of apparent discharge in picocoulombs (pC), offering an objective evaluation of insulation assessment. A key differentiator is its advanced noise elimination technology, specifically engineered to overcome the electromagnetic interference present in operating environments.

This ensures accurate and reliable results when assessing energized Switchgear on-site, a significant advantage over traditional offline testing methods. The detector's wide applicability across various types of high-voltage Switchgear equipment, combined with the proven reliability of the pulsed current method, makes it an invaluable tool for proactive maintenance and ensuring the longevity of critical electrical assets.



Dimensions

(Unit: mm)



Specifications

Power Supply Method	100 V ~ 240 V AC 50/60 Hz	Power Wastage	< 3 W
Altitude	< 4000 meters	Protection Level	IP 54
Measurement Range	0 ~ 2000 pC	Installation Method	Front Panel Mounting, Flush Mounting
Measurement Accuracy	± 20 %	Hole Size	92 mm * 44 mm
Measurement Method	Pulsed-current Method	Operating Conditions	-40°C ~ 70°C , ≤95% RH
Outgoing Package Interval	2 minutes	Relative Humidity	≤95% RH
Wireless Operating Bandwidth	433.92 MHz	Compliance	EN 62479; EN 61326; EN 220, 300, 301, 400, 489
Firing Power	10 dBm	Ordering Information	
Transmission Distance	≤ 800 meters (Open)	Part Number	Product Description
Wired Communication	RS485 (MOD-BUS) , RJ45 (Network Port Mapping), USB (Type-C)	PTSPD3000	PTSenR™ Advanced Partial Discharge Analyzer
Matched Coupling Capacitance	6.8 PF - 150 PF		
Applicable Voltage Level	6 KV, 10 KV, 35 KV, 66 KV		
Miscellaneous			
Live Indicator	LED, LCD		
Relay Contacts	5 A/250 V AC 5 A/30 V DC		